



PRODUCT INFORMATION

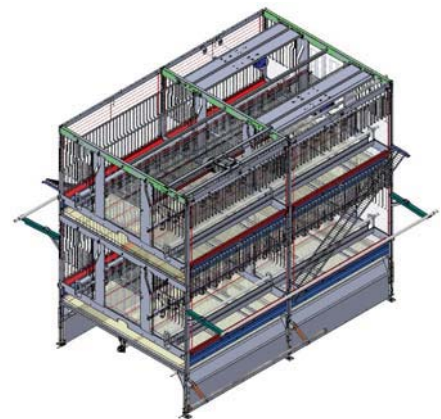
Natura Primus & Natura Filia rearing aviaries




Natura Primus and Natura Filia are management systems for rearing laying hens from day-olds through to laying maturity

Besides the fact that these systems provide the birds with essentials as feed and water, they also serve as training units for chicks and pullets.

The pullets learn how to jump and fly, to easily find their way in large groups and to explore the surroundings.

Training these and other behavioural characteristics ideally prepares them for a life in a modern laying aviary.



  		NUMBER OF PUBLICATION 01-0033		NO. OF PAGES INCL. COVER 9
BUSINESS UNIT <input checked="" type="checkbox"/> Egg <input type="checkbox"/> Poultry <input type="checkbox"/> Pig		RELEASED <input type="checkbox"/> Regionally <input checked="" type="checkbox"/> Internationally		
		PUBLISHED ON 16.11.2016		
		(per region)		
		(date)		
REGION OF APPLICATION <input checked="" type="checkbox"/> Asia <input checked="" type="checkbox"/> China <input checked="" type="checkbox"/> Europe <input checked="" type="checkbox"/> India <input checked="" type="checkbox"/> Latin America <input checked="" type="checkbox"/> MEA <input checked="" type="checkbox"/> North America <input checked="" type="checkbox"/> Russia				
Further limitations/exceptions of countries:				
LANGUAGES <input checked="" type="checkbox"/> English <input type="checkbox"/> Chinese <input type="checkbox"/> French <input checked="" type="checkbox"/> German <input type="checkbox"/> Russian <input type="checkbox"/> Spanish <input type="checkbox"/> Others				
RELEASED BY				
NAME 1 Bernd Heidkamp, Product Manager, (BU Egg)		NAME 2 Holger Brunnberg, (BU Egg)		
NAME 3		NAME 4		
SIGNATORY RULES				
Regional product (only for one region) Name 1: Chief Engineer of BU (global) Name 2: Employee Customer Engineering (region)		International product (only more than one region) Name 1: Product Manager (global) Name 2: Employee Engineering (global or regional)		Products Central Technologies Name 1: Product Manager CT or 1-3 Product Manager(s) BU (global)* Name 2: Product Owner CT
*only if there is no Product Manger CT in charge				



The following types of Natura aviaries are available:

- NATURA Primus 16
- NATURA Primus 18
- NATURA Filia 18
- NATURA Filia 22

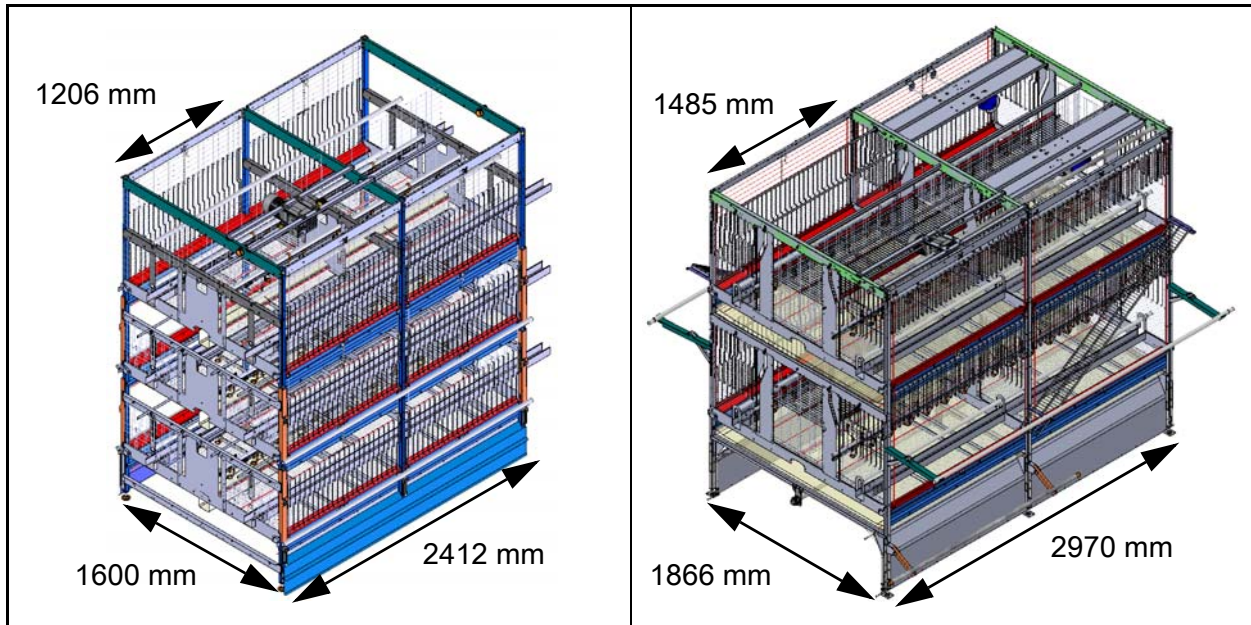


Figure 1: NATURA Primus 16

Figure 2: NATURA Filia 18

In 2012, NATURA Primus became successor of the discontinued NATURA R 1380 and NATURA R 1600. These systems are very similar in their general structure.

The system management and bird behaviour in the house are basically the same, but Primus has been technically improved. This led to an increased functional reliability and its great number of options allows facilitating pullet rearing.

NATURA Filia is a supplement to Natura Primus offering advantages in comparison to Primus in case of rearing with a lower stocking density.

Dimensions of Natura Primus

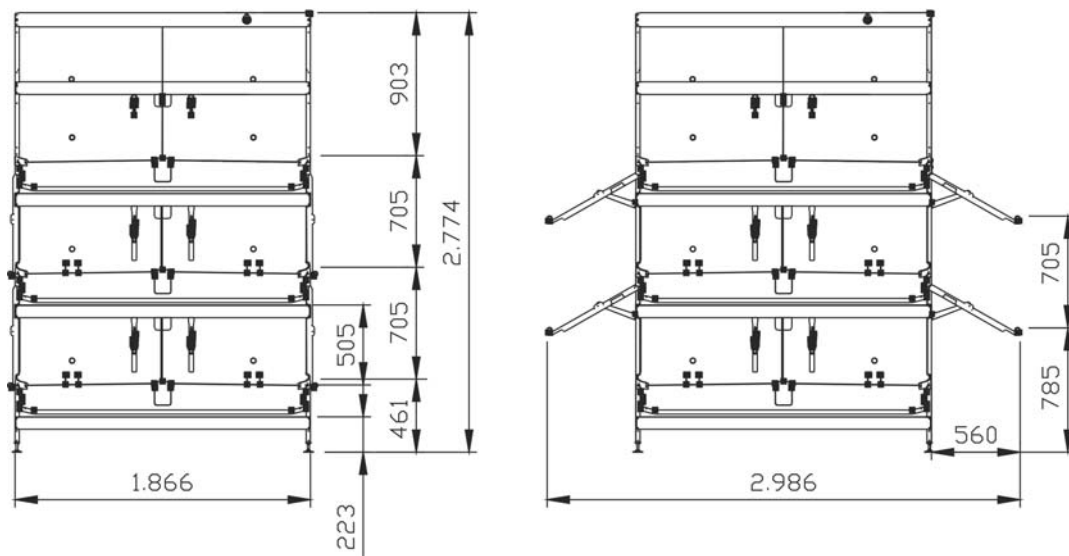


Figure 3: Dimensions [in mm] Primus 18 - automatic perches folded up at the left side and extended at the right

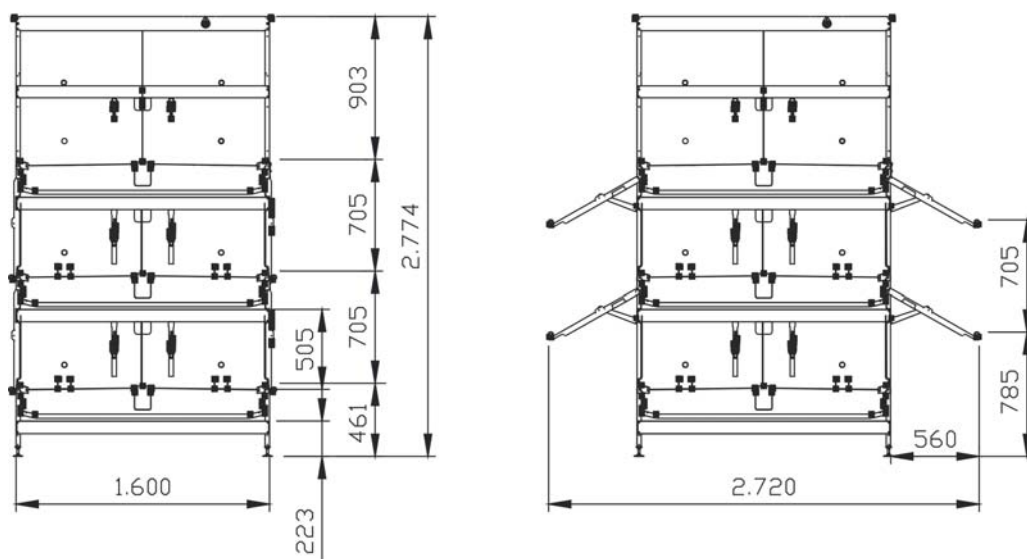


Figure 4: Dimensions [in mm] Primus 16 - automatic perches folded up at the left side and extended at the right



Dimensions of Natura Filia

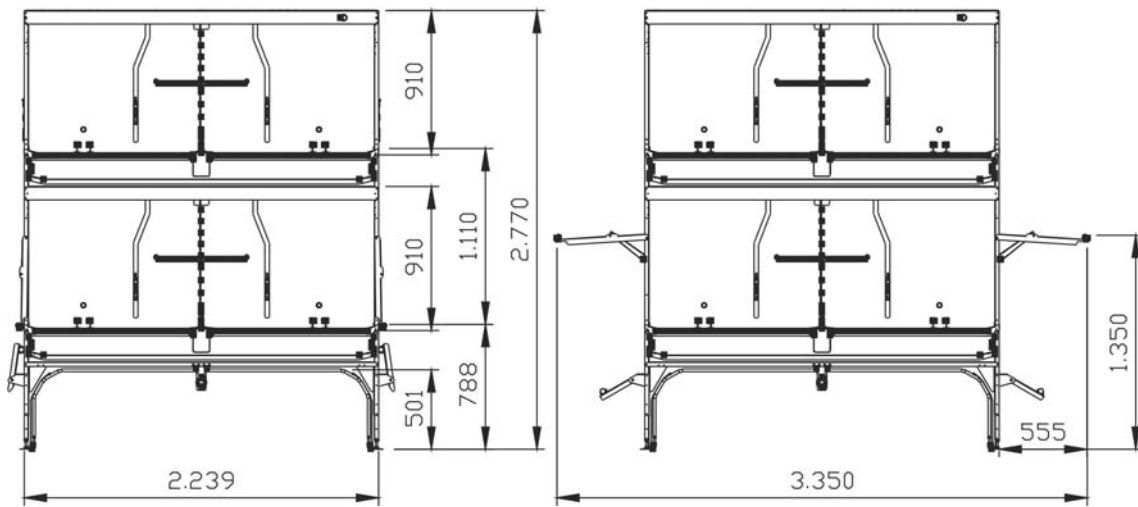


Figure 5: Dimensions [in mm] Filia 22 - automatic perches folded up at the left side and extended at the right

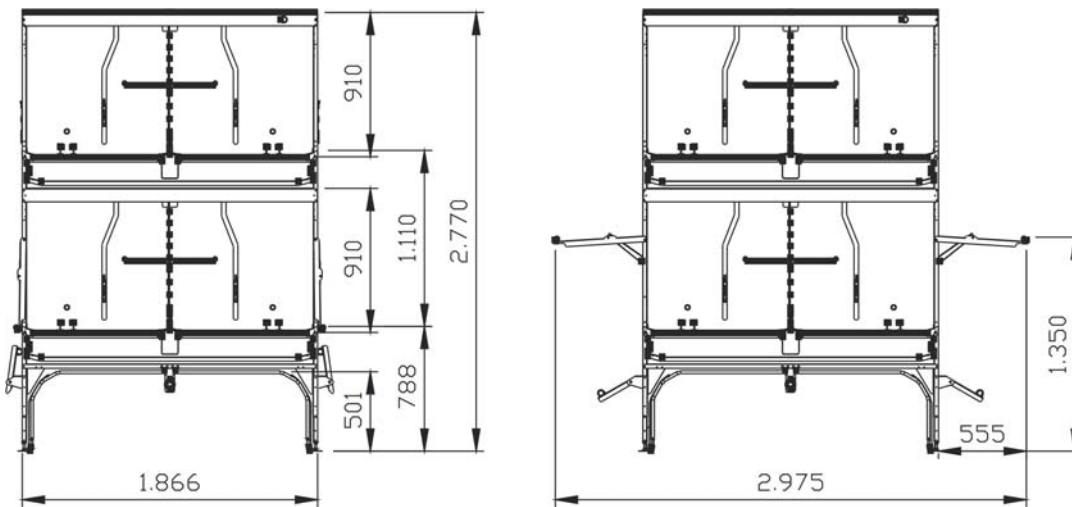


Figure 6: Dimensions [in mm] Filia 18 - automatic perches folded up at the left side and extended at the right

Characteristics of NATURA Primus and NATURA Filia – (optional extras in brackets)

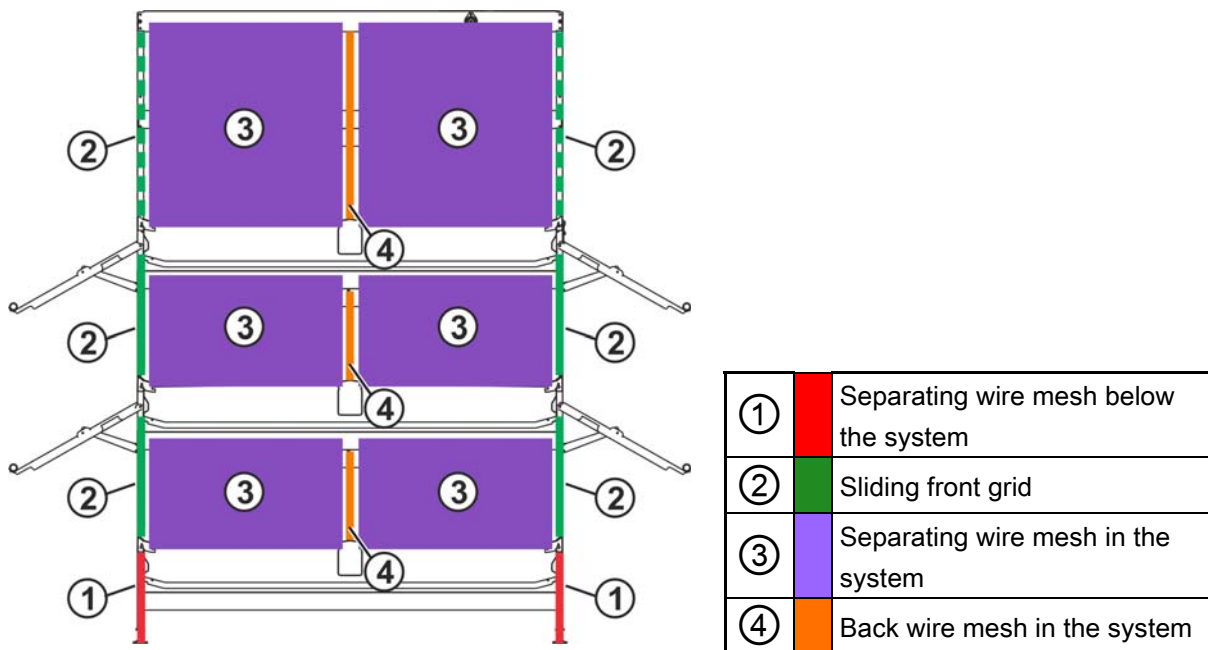
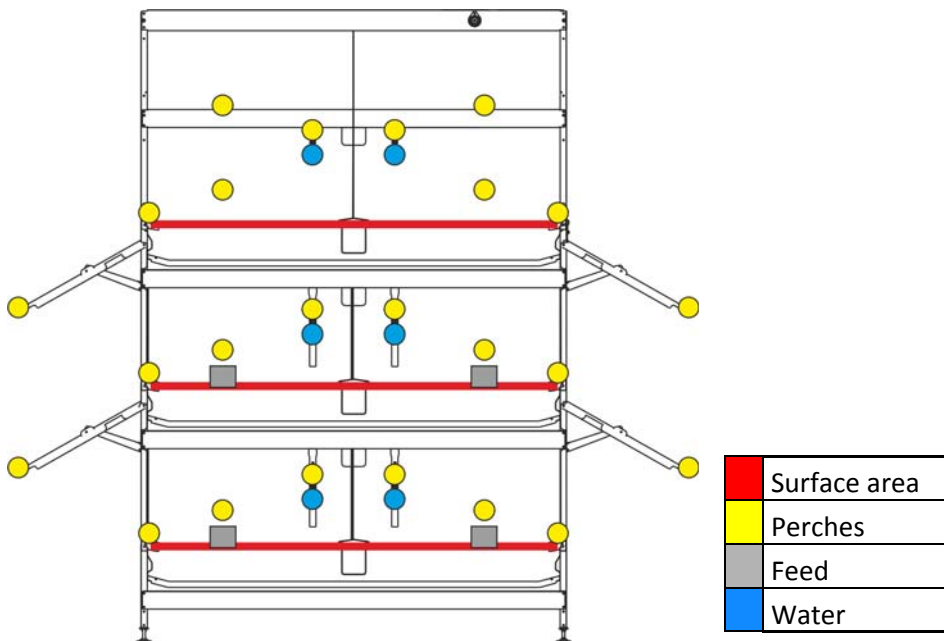
Characteristic	Natura Primus	Natura Filia
Height [m]	2.774	2.77
Width [m]	1.6 or 1.866	1.866 or 2.239
Section length [m]	2.412	2.97
Post distance [m]	1.206	1.485
Height clearance of tier [cm]	1st & 2nd tier: 50.5 3rd tier: 90.3 / "resting zone"	1st & 2nd tier: 91
Number of manure belt levels	3	2
Air duct	X (optional: ✓)	X (optional: ✓)
Intermediate levels in the system	X	✓
System surface per running metre of system	Primus 16: 4.8 m ² Primus 18: 5.598 m ²	Filia 18: 4.932 m ² Filia 22: 5.678 m ² (incl. intermediate levels)
Maximum bird number per section	<u>2.412 m per section</u> Primus 16: 400 birds Primus 18: 460 birds	<u>2.97 m per section</u> Filia 18: 490 birds Filia 22: 565 birds
Number of feed circuits	2 (optional: 3)	2
Number of drinkers	6 lines	4 lines
Water training	X	✓
Perches	24 4 of them folding automatically	14+ 2 approach aids 2 of them folding automatically (optional: +4 perches)
Perches from day 1	✓	✓
Jump training within the system	X	✓
Birds can access space below the system	X (optional: ✓)	✓
Closing the system from below ①	Foldable cover plate (optional: cover foil in case of raised system)	Cover foil
Sliding front grid ②	1st & 2nd tier manually (optional: centrally) (optional: 3rd tier manually / centrally)	1st & 2nd tier centrally
Separating wire mesh in the system ③	1st & 2nd tier collapsible separating wire mesh 3rd tier fixed separating wire mesh Distance: 2.412 m (optional: 1.206 m)	1st & 2nd tier sliding separating wire mesh Distance: 1.485 m
Back wire mesh in the system ④	✓	✓ (optional: underneath the system)
Minimum aisle width [m]	Inner aisle : 1.8 Outer aisle: 1.6	Inner aisle : 1.8 Outer aisle: 1.6
Ramps and bridges	✓ As aids for the birds in the first weeks after leaving the system	✓ As aids for the birds in the first weeks after leaving the system

✓ = available

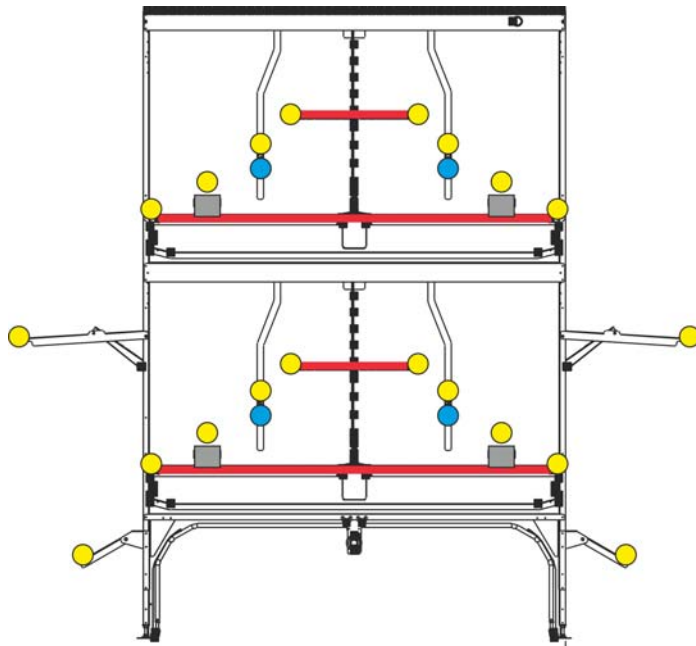
X = not available



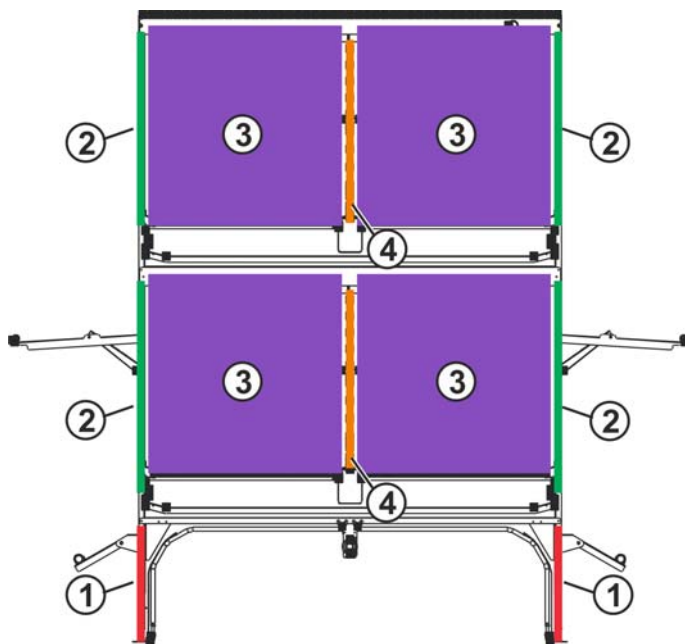
Structure of NATURA Primus



Structure of NATURA Filia



	Surface area
	Perches
	Feed
	Water



①		Separating wire mesh below the system
②		Sliding front grid
③		Separating wire mesh in the system
④		Back wire mesh in the system

Areas of use of rearing systems

Although Natura Primus and Natura Filia are both designed for keeping hens in laying aviaries, their areas of use are slightly different.

A decisive factor in favour of a specific system in certain areas of use is the usable area available. In case of **Natura Primus**, the usable area is divided into approx. 65 % system surface and 35 % littered area.

Natura Filia generally has a ratio of approx 50 % system surface and 50 % littered area. This is possible as the system is raised and the surface underneath counts as littered as well as usable area.

Possible areas of use (markets):

Due to different ratios of usable area in both systems, **Natura Primus** is better suited for the markets allowing for higher stocking densities.

Natura Filia, however, is suited better for markets and guidelines requiring lower stocking densities. Moreover, Natura Filia should only be used in markets where some know-how about rearing in aviaries already exists as it is harder to manage a raised rearing system in general than a system that is not raised.

Documentation

A detailed system documentation with information on usable area, perches, feeding and drinking space is available in Infothek under the heading "Planning and project planning guides".


Calculation


For calculating the systems please use the "BD Quotation Configurator".


Further information

- Presentation "Rearing basics – alternative layer management" (Primus, Filia, Subito)
- Manual "Natura-Primus 16 & 18 / User manual"

Check your knowledge ...

	<p>1. Which of the following statements is correct?</p>
A	Natura Primus is available as Primus 18 and Primus 22.
B	Natura Filia is available as Filia 22 and Filia 25.
C	Natura Filia is available as Filia 18 and Filia 22.
D	Natura Primus is available as Primus 16 and Primus 18.

	<p>2. Which of the following statements is correct?</p>
A	The standard version of Natura Filia is raised, so that the birds can access the space below the system.
B	The standard version of Natura Primus is raised, so that the birds can access the space below the system.
C	The standard version of Natura Primus has two feed circuits and can optionally be equipped by a third feed circuit.
D	The standard version of Natura Filia has six nipple drinker lines.

	<p>3. Which of the following statements is correct?</p>
A	Natura Primus is the successor of „Natura R 1380 and Natura R 1600“ and replaces them.
B	Natura Filia is the successor of Natura Primus and replaces it.
C	Natura Filia is a supplement to Natura Primus, as it has some advantages in comparison with Primus regarding rearing with lower stocking densities.
D	Natura Filia has been especially designed for rearing birds for EV 2240.

1.C+D; 2.A+C; 3.A+C