




PRODUCT INFORMATION

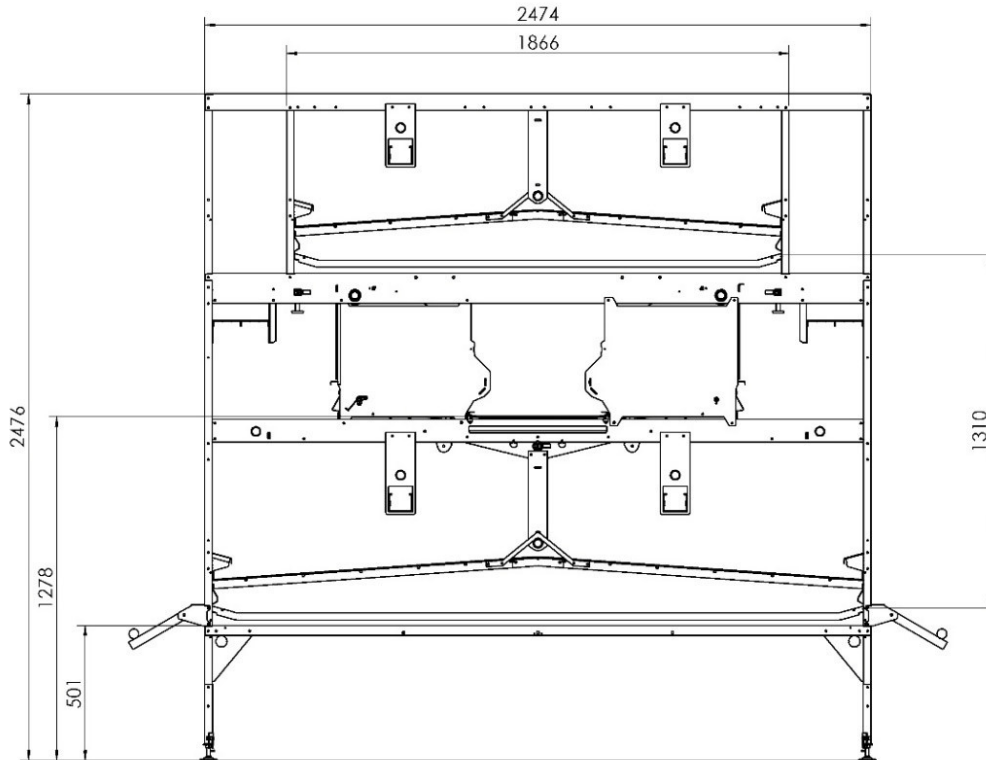
Natura Step V16

Further development of the Natura Step system
24-18

   <p>BUSINESS UNIT <input checked="" type="checkbox"/> Egg <input type="checkbox"/> Poultry <input type="checkbox"/> Pig</p>	<p>RELEASED <input type="checkbox"/> Regionally <input checked="" type="checkbox"/> Internationally</p>	<p>NUMBER OF PUBLICATION 01-0188 (per region) PUBLISHED ON 06.03.2018 (date)</p>	<p>NO. OF PAGES INCL. COVER 6</p>			
<p>REGION OF APPLICATION <input checked="" type="checkbox"/> Asia <input checked="" type="checkbox"/> China <input checked="" type="checkbox"/> Europe <input checked="" type="checkbox"/> India <input checked="" type="checkbox"/> Latin America <input checked="" type="checkbox"/> MEA <input checked="" type="checkbox"/> North America <input checked="" type="checkbox"/> Russia</p>						
<p>Further limitations/exceptions of countries:</p>						
<p>LANGUAGES <input checked="" type="checkbox"/> English <input type="checkbox"/> Chinese <input checked="" type="checkbox"/> French <input checked="" type="checkbox"/> German <input type="checkbox"/> Russian <input checked="" type="checkbox"/> Spanish <input type="checkbox"/> Others</p>						
<p>RELEASED BY</p> <p>NAME 1 <u>Bernd Heidkamp, Product Management (BU Egg)</u> NAME 2 <u>Judith Langfermann, Project Coordinator Global Support (BU Egg)</u></p> <p>NAME 3 _____ NAME 4 _____</p>						
<p>SIGNATORY RULES</p> <table border="0"> <tr> <td data-bbox="199 2056 526 2116"> <p>Regional product (only for one region) Name 1: Chief Engineer of BU (global) Name 2: Employee Customer Engineering (region)</p> </td> <td data-bbox="598 2056 933 2116"> <p>International product (only more than one region) Name 1: Product Manager (global) Name 2: Employee Engineering (global or regional)</p> </td> <td data-bbox="1013 2056 1476 2116"> <p>Products Central Technologies Name 1: Product Manager CT or 1-3 Product Manager(s) BU (global)* Name 2: Product Owner CT</p> </td> </tr> </table> <p style="text-align: right;">*only if there is no Product Manger CT in charge</p>				<p>Regional product (only for one region) Name 1: Chief Engineer of BU (global) Name 2: Employee Customer Engineering (region)</p>	<p>International product (only more than one region) Name 1: Product Manager (global) Name 2: Employee Engineering (global or regional)</p>	<p>Products Central Technologies Name 1: Product Manager CT or 1-3 Product Manager(s) BU (global)* Name 2: Product Owner CT</p>
<p>Regional product (only for one region) Name 1: Chief Engineer of BU (global) Name 2: Employee Customer Engineering (region)</p>	<p>International product (only more than one region) Name 1: Product Manager (global) Name 2: Employee Engineering (global or regional)</p>	<p>Products Central Technologies Name 1: Product Manager CT or 1-3 Product Manager(s) BU (global)* Name 2: Product Owner CT</p>				



Several technical innovations have been added to the area of the nest and the upper cross beam of Natura Step 24-18.



The following overview shows all modified areas of the nest:

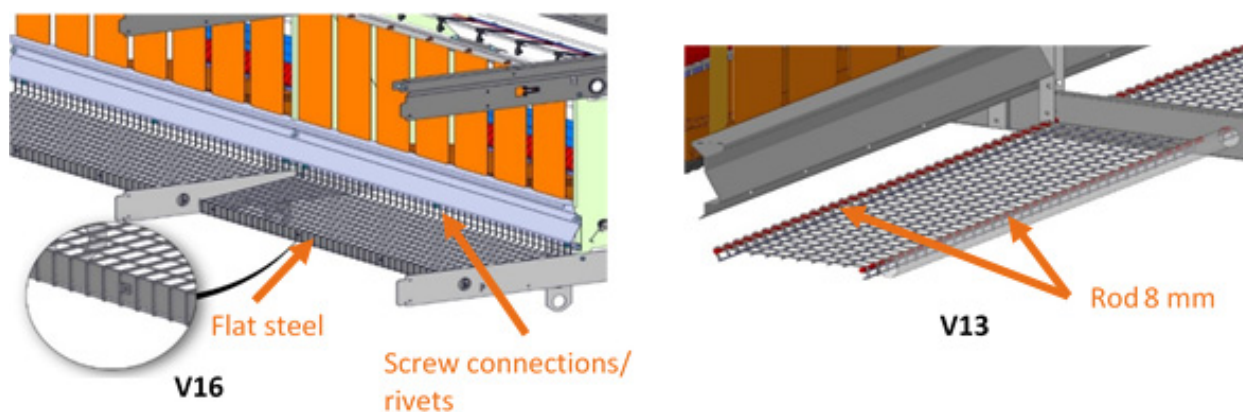
1. Back wall of nest is easy to remove
 - attachments located behind roller tube
 - easier cleaning in the centre of the system
2. Reinforced approach grating in front of the nest
 - connected with nest side rail
 - flat steel at the front end
 - with slope → “variable” drinker height
3. Supporting nest partition
 - no posts in front of and inside the nest
4. Nest bottom bearing with single-side nest bottom spring
5. Spillage belt (optional)
 - pivoting rods as supports
6. Rescue gap (optional)
7. Nipple pipe 28mm (optional)

Explanation – point 1:

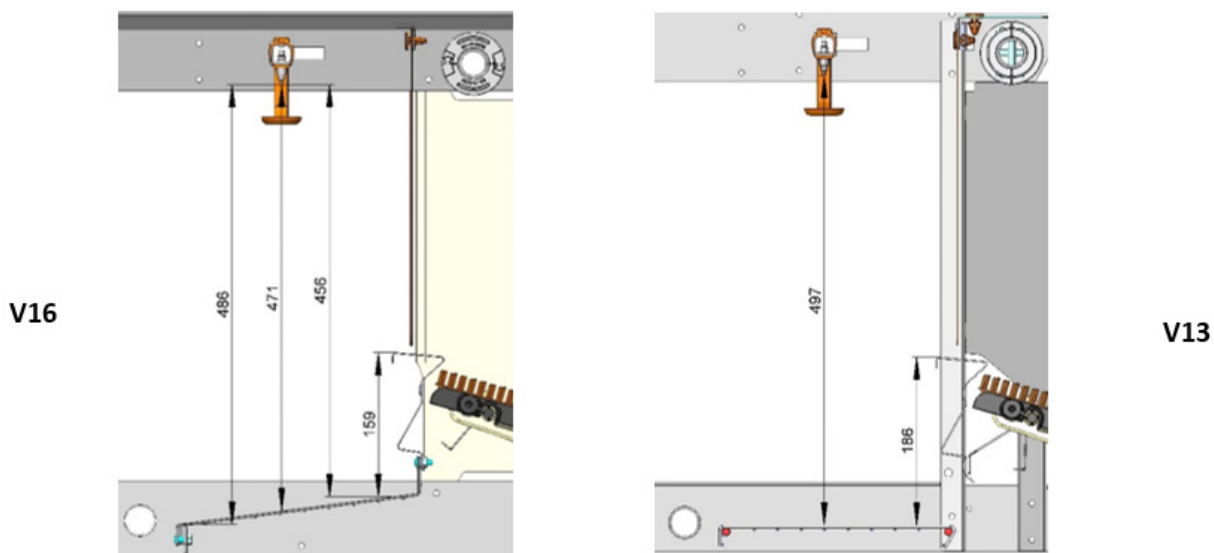
Attaching the nest back wall to a rod by means of brackets will make supervision easier. Fix the nest back wall to the cross beams using two clips and mount it to the rod with plastic brackets. Now fasten the back wall behind the roller tube. Place a curtain rail in front of the roller tube, as before. However, this rail is only used for attaching the nest curtains.

Explanation – point 2:

The approach grating in front of the nest has been reinforced by connecting the approach grating to the nest side rail. Up to now, no connection or fixing to the side rail were designed. In the front, the approach grating is reinforced by a flat steel.



Another new feature is the slope of the approach grating. This offers the birds a variable drinker height. The average height is approx. 30 mm lower than in V13.



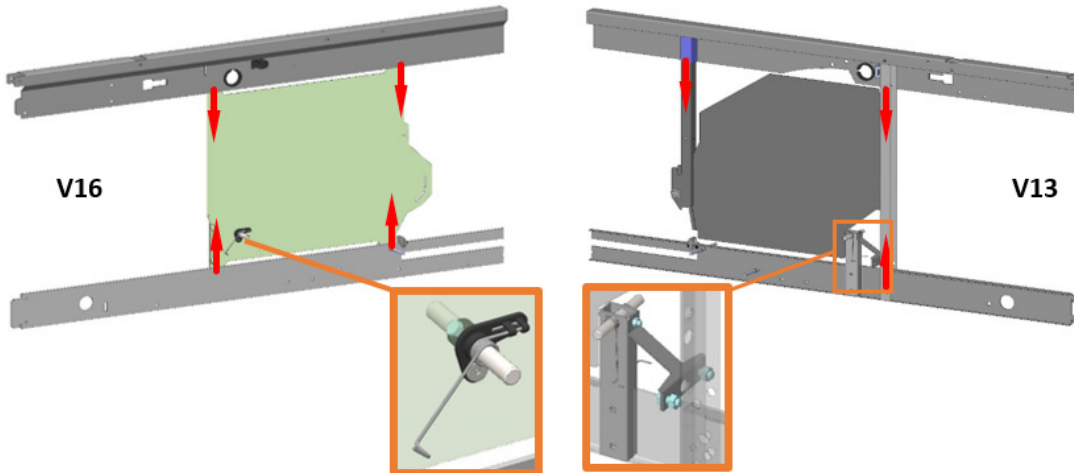


Explanation – point 3:

The nest partition is now a supporting element, making the posts in front of and inside the nest no longer necessary. The nest partitions are designed so that they offer the required stability.

Explanation – point 4:

Moreover, the nest bottom bearing is equipped with the new nest bottom spring.

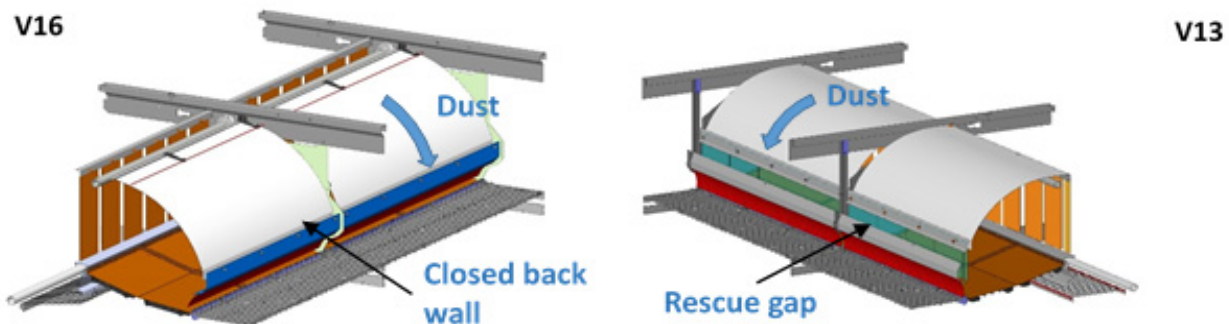


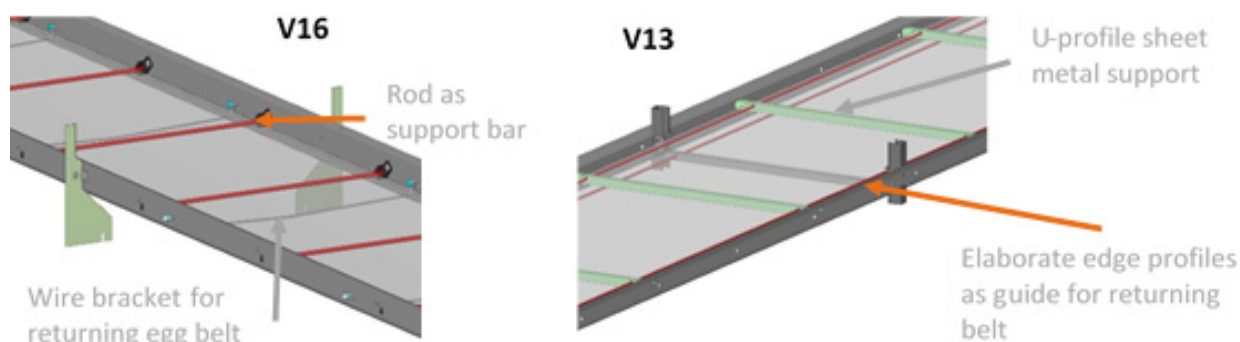
Explanation – point 5:

The spillage belt is another optional extra. It was already available in version V13, but smaller. Due to the wider belt, the entire surface of the egg belt is covered so that dust cannot fall down onto the egg belt.

Explanation – point 6:

The rescue gap in Natura Step nests is now available as an option in contrast to the previous standard version. Dust accumulating on the nest back wall still reaches the nest insert through an opening between the nest back wall and the footrail so that the eggs do not roll onto a dirty egg belt.

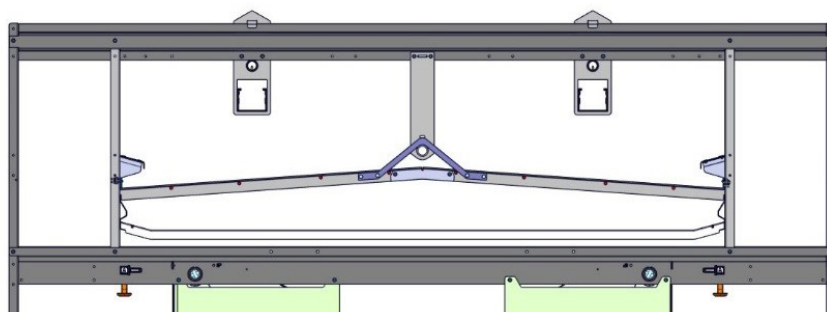




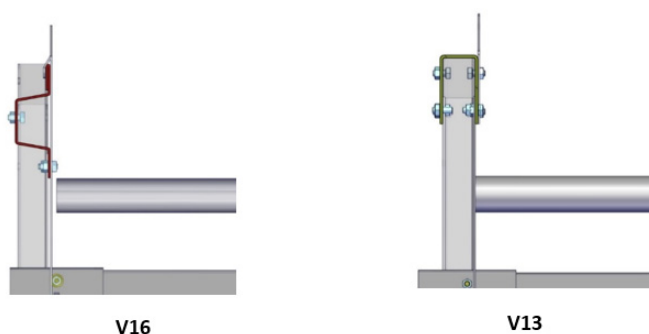
The modifications of the upper cross beam are the following:

- new shape prevents the layers from sitting on the cross beam
- simplified assembly of suspensions
- avoiding mite accumulations in the cross beam

The upper cross beam has also been revised. The birds often perched on the U-profile used up to now. This led to an increased accumulation of manure in the feed trough. The new shape makes sitting for the birds more difficult. Additional triangular sheets prevent that the trough is soiled by manure.




Moreover, cleaning the cross beam is now much easier, as the profile does no longer allow the accumulation of dust and mites.




This system will be released as soon as trial orders have been successfully completed. Upon release, previous versions will be replaced by Natura Step V16.



Check your knowledge ...

	1. How has the nest been modified?
A	No rescue gap in the standard version any more, but a detachable rear wall of the nest
B	New nest insert
C	Deeper nest and new egg channel
D	Modified approach grating in front of the nest

	2. What has been changed in the area of the upper cross beam?
A	The cross beam has not been changed, only the nest
B	The cross beam now has a new shape
C	The material thickness of the cross beam has been modified
D	The shape of the cross beam will prevent birds from sitting on the cross beam

1:A+D; 2:B+D